

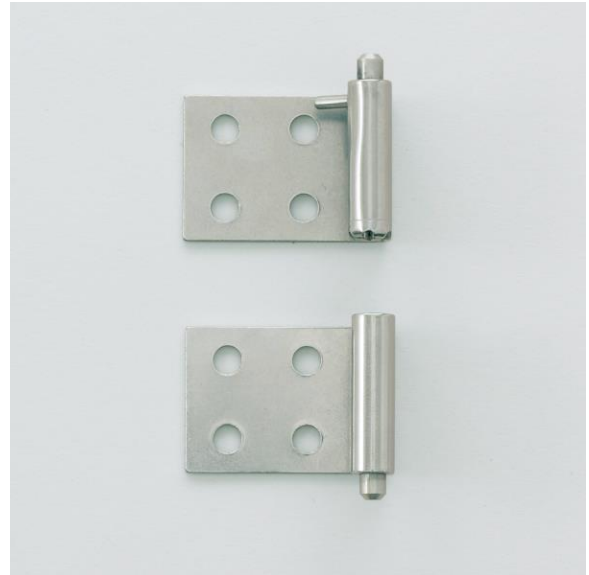
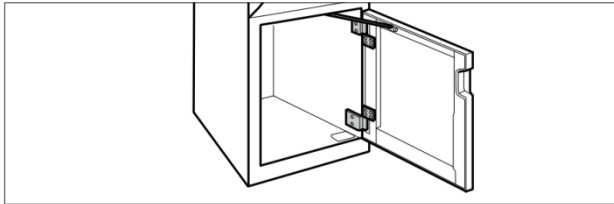
GHG-PV-30C Pivot Hinge

Features

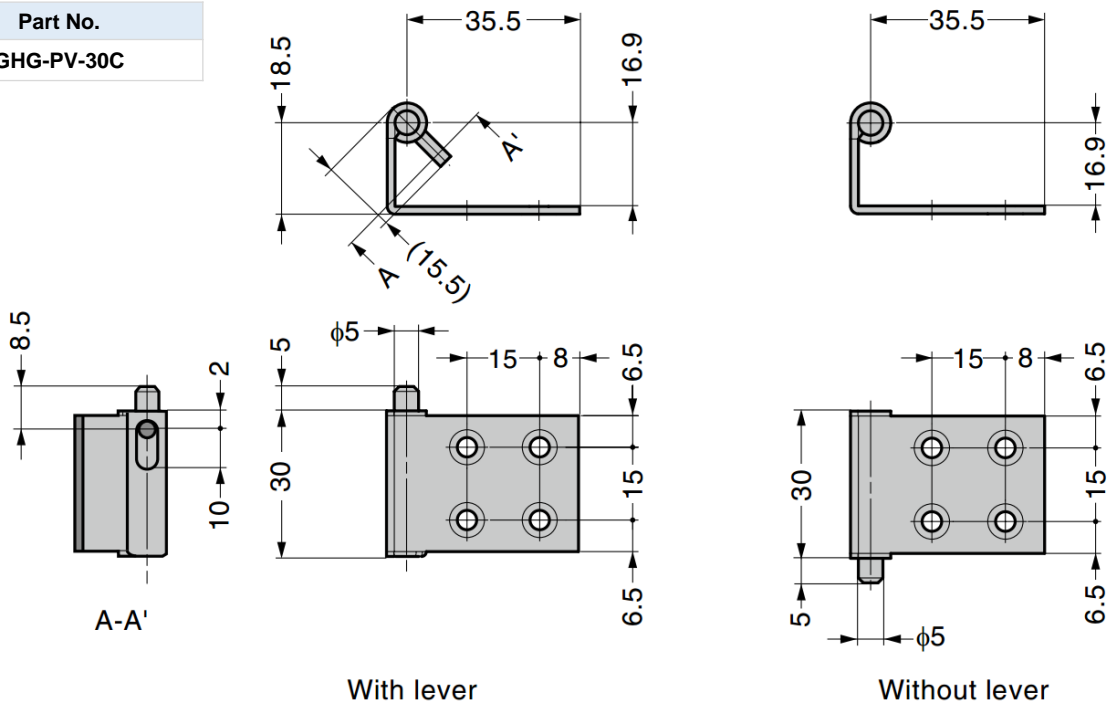
- Small detachable pivot hinge
- Door is easily detached only by using the lever
- Suitable for light doors for equipment and enclosures
- Sold in pairs (upper and lower piece)

Material

- Stainless steel 304, barrel polished



Part No.
GHG-PV-30C



For right-hanging, the hinge with lever is at the upper side, while that without lever at the lower side.

For left-hanging, the hinge with lever is at the lower side, while that without lever at the upper side.